

SWAN

Automatic dispenser

The automatic dispenser is made of ABS material.

The device is non-contact - equipped with a motion sensor with range of 50 - 1200 mm. It reduces the spread of germs and bacteria. It is powered by 4 C/LR14 type batteries or a dedicated power supply unit - AC/DC 5-6 V (not included).

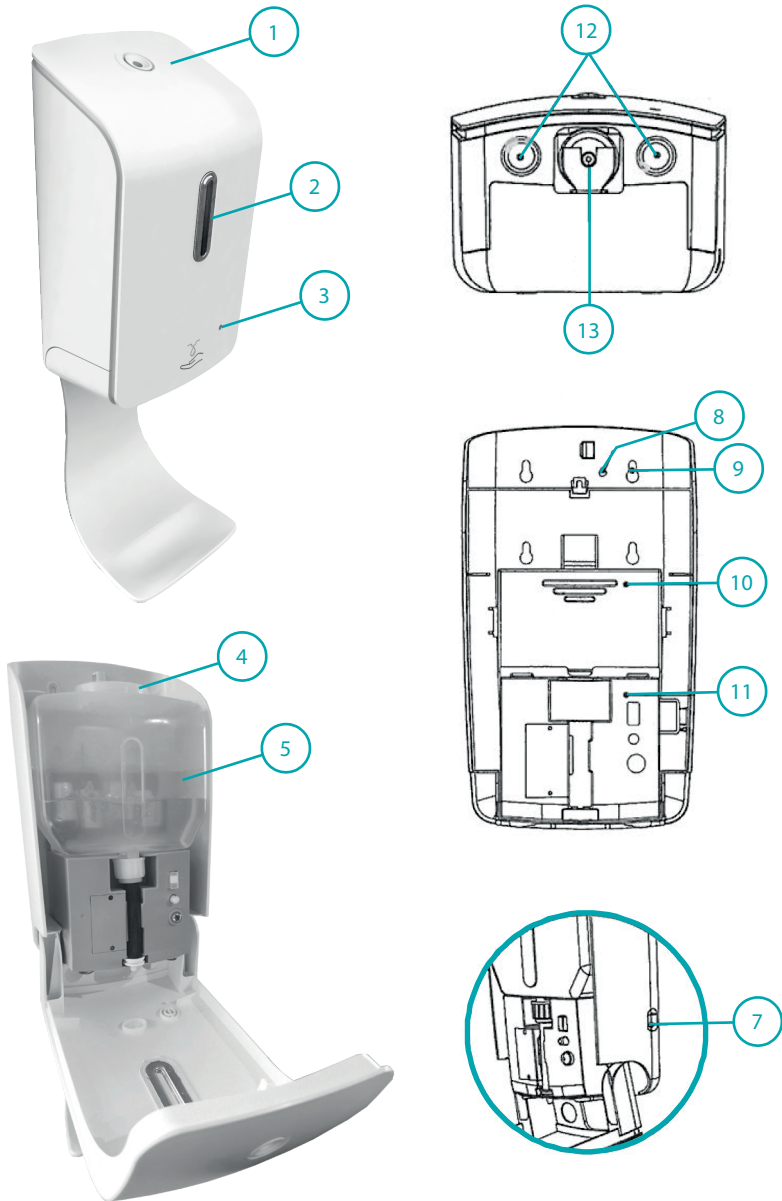
It is equipped with a tank with a capacity of 1 liter of fluid or gel.

Dosing of the liquid in the form of drops.

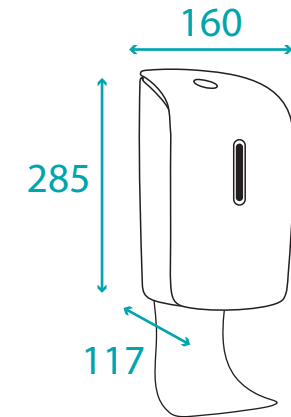
Depending on the type of use of the disinfectant, you should calibrate the heads and dosing valve accordingly.

An LED lamp on the front of the device informs about the battery discharging.

Dispenser mounted on the stand with mounting pins and double-sided adhesive tape. The set comes with a tray for liquid residue.



- ① Lock
- ② Viewfinder
- ③ LED light
- ④ Tank opening
- ⑤ Tank
- ⑥ Liquid pump
- ⑦ Socket for power supply
- ⑧ Theft protection opening
- ⑨ Mounting hole
- ⑩ Battery compartment
- ⑪ On/Off switch
- ⑫ Motion sensor
- ⑬ Dispenser



Dimensions:
160x285x117 mm

Capacity:
1000 ml

Weight:
1,1 kg